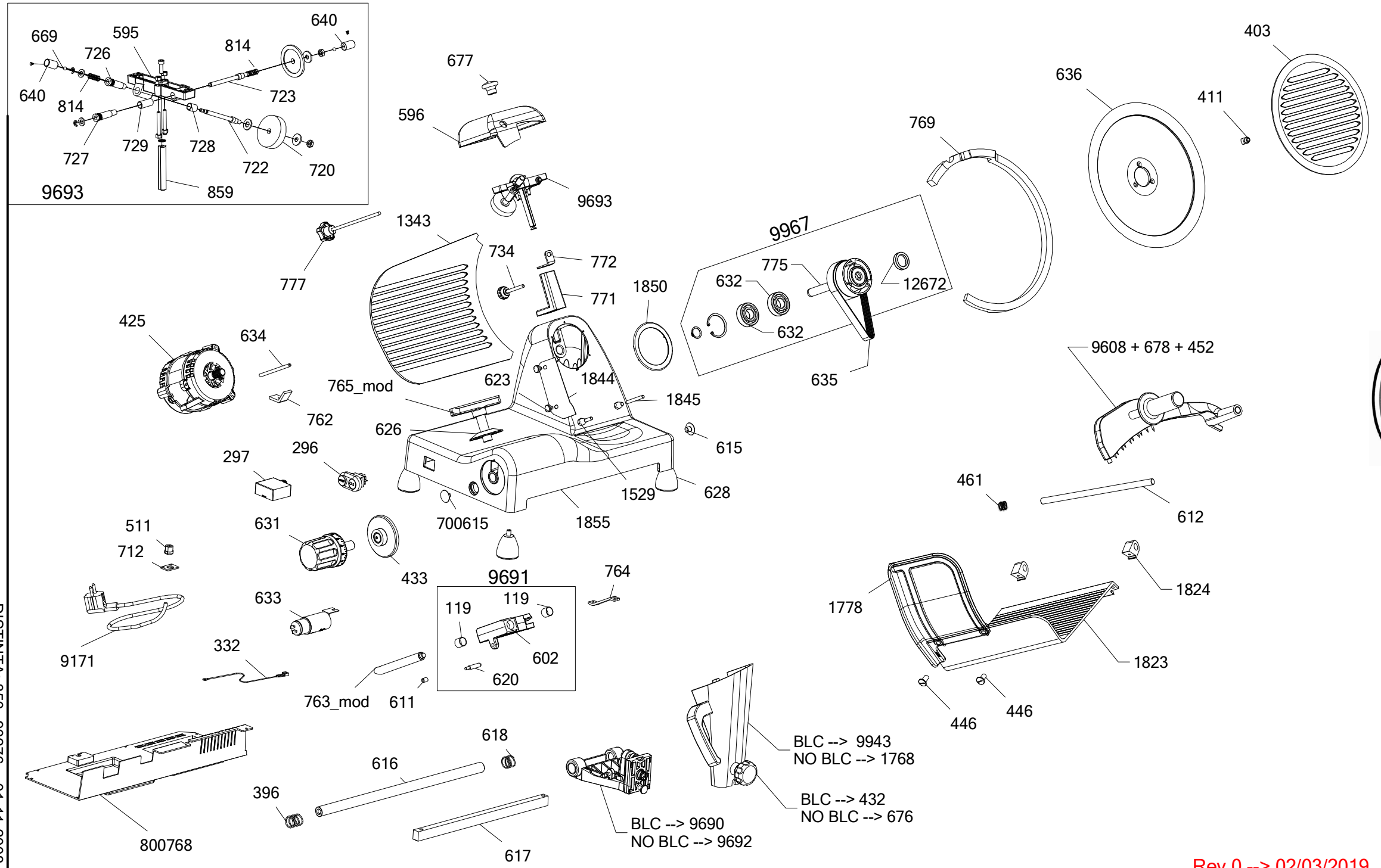


Rev.0 --> 02/03/2019



| 9608 | 678 + 452 | Mod. CEv | Mod. CEp | 9690 BLC | 9943 |
|------|-----------|----------|----------|----------|------|
| | | | | | |